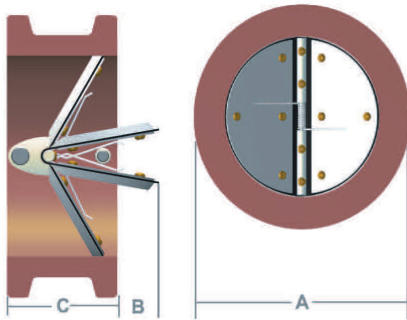


US Valve Check Valves

Dimensional Data



0920 & 0920-OSP Series			
Valve Size	A (O.D.)	B	C
4	6.7	0.9	2.4
6	8.7	1.5	3.4
8	11.0	2.3	4.4

0920 & 0920-OSP Series