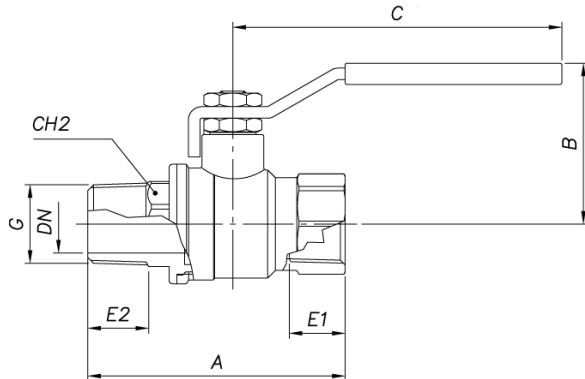


**MBV Series Male x Female Connection
Full Port Ball Valves UL CSA FM & NSF-61 Approved**



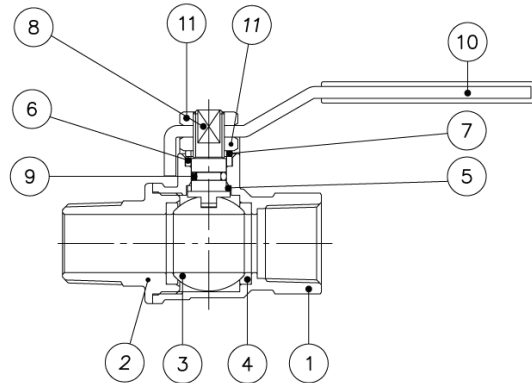
- 600 PSI (WOG)
150 PSI (WSP)
- UL, CSA, NSF 1/4" - 1" 400PSI
- UL, CSA, NSF 1" & Larger 250PSI
- FM Approved 175 PSI
- Suitable for Vacuum Service to 29" Hg
- Temperature Range: -40° F To 366° F
- Hot Forged Brass Construction
- Full Port
- Blow Out Proof Stem
- Adjustable PTFE Stem Sealing
- Made in Italy

Part No.	Size	A	B	C	E1	E2	CH1	CH2	KV	CV	LB
MBV-25	1/4	2.28	1.49	3.35	.46	.51	.74	.55	230	268.4	2.53
MBV-33	3/8	2.87	1.57	3.35	.46	.51	.86	.71	265	309.2	3.83
MBV-50	1/2	2.67	1.59	3.35	.61	.62	.96	.86	16.3	19	.44
MBV-75	3/4	2.87	1.71	3.35	.62	.64	1.22	1.10	29.5	34.4	.60
MBV-100	1	3.42	2.09	4.68	.74	.80	1.49	1.35	43	50.1	1.16
MBV-125	1-1/4	3.91	2.30	4.68	.78	.90	1.88	1.69	89	103.80	1.58
MBV-150	1-1/2	4.23	2.97	6.37	.78	.88	2.12	2.12	230	268.4	2.53
MBV-200	2	4.94	3.25	6.37	.78	.92	2.63	2.40	265	309.2	3.83

CV = The Gallons of Water Per Minute That the Valve Will Pass with 1 PSI Pressure Drop
KV = The Flow Rate Expressed As Cubic Meters of Water Per Hour at a Pressure Differential of 1 Bar
CV= 1.167 KV

Dimensions Are Shown In Inches

**MBV Series Male x Female Connection
Full Port Ball Valves UL CSA FM & NSF-61 Approved**



Pos.	Components	Materials	Qty
1	Body	CW617N Forged Brass	1
2	End Connection	CW617N Forged Brass	1
3	Ball	CW617N CP Brass	1
4	Ball Seats	PTFE	2
5	Lower Stem Seal	PTFE	1
6	Upper Stem Seal	PTFE	1
7	Brass Ring	CW614N Brass	1
8	Stem	CW614N Brass	1
9	O Ring	EPDM 70 Sh	1
10	Handle	UNI EN 10025 Steel	1
11	Nut	UNI 5771 Steel	2