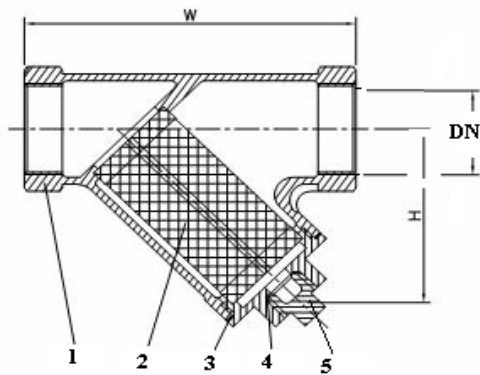


Brass Y Strainer



Suitable for WOG Service, 150 PSI (Steam) Service
400 PSI Up to 1"
300 PSI 1-1/4" & Larger
Temperature Range: -10°F to 250°F
Heavy Duty Cast Brass Construction
Screwed Caps are Straight Threaded with Gaskets
304 Stainless Steel 50 Mesh Screen
Threaded End Comply with ANSI.B2.1
Female x Female Connection

Part No.	DN (In)	H (In)	W (In)	Wt. (Lbs.)
YBS-25	1/4"	1.97	2.68	0.61
YBS-33	3/8"	1.97	2.68	0.63
YBS-50	1/2"	1.97	2.68	0.79
YBS-75	3/4"	2.36	3.92	1.34
YBS-100	1"	2.64	4.53	1.99
YBS-125	1-1/4"	3.19	5.39	2.75
YBS-150	1-1/2"	3.43	6.26	3.96
YBS-200	2"	4.29	7.48	6.89

Weights Are \pm 3%

Part No.	Description	Material
1	Body	Brass
2	Screen	Stainless Steel
3	Cap	Brass
4	Seal	Teflon
5	Plug	Brass