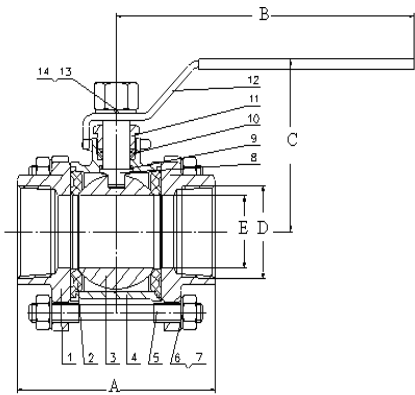


### 3 Piece Stainless Steel Ball Valve Full Port



Part No.	Size (D)	A	B	C	E	Wt. (Lbs.)
SV3P-25	1/4"	2.55"	3.54"	1.88"	0.39"	0.87
SV3P-38	3/8"	2.55"	3.54"	1.88"	0.47"	0.84
SV3P-50	1/2"	2.75"	3.93"	2.16"	0.59"	1.26
SV3P-75	3/4"	3.14"	4.72"	2.36"	0.78"	1.86
SV3P-100	1"	3.54"	5.51"	2.75"	0.98"	2.34

Weights Are  $\pm 3\%$

1000 PSI (WOG)  
150 PSI (WSP) Service  
Suitable for Vacuum Service Up to 29.9"Hg  
Temperature Range:  $-20^{\circ}\text{F}$  to  $425^{\circ}\text{F}$   
3 Piece 316 Stainless Steel Construction  
Full Port  
PTFE Seats and Seals  
Blow Out Proof Stem  
Stainless Steel Ball and Stem  
Lever Handle  
Female x Female Connection

Part No.	Part Name	Material
1	Cap	316 Stainless Steel
2	Cap Seal	PTFE
3	Ball	316 Stainless Steel
4	Body	316 Stainless Steel
5	Bolt	316 Stainless Steel
6	Washer	304 Stainless Steel
7	Nut	316 Stainless Steel
8	Stem	316 Stainless Steel
9	Bottom Seal	PTFE
10	Packing	PTFE
11	Gland	316 Stainless Steel
12	Handle	316 Stainless Steel
13	Washer	316 Stainless Steel
14	Nut	316 Stainless Steel