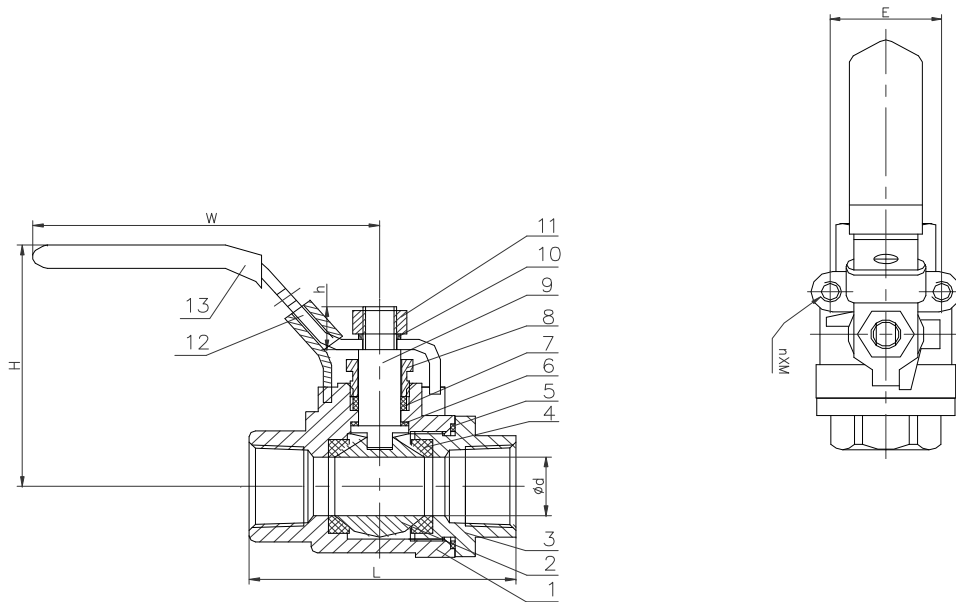


Full Port Stainless Steel Ball Valves With Lockable Handle



2000 PSI (CWP) Up to 1"
1500 PSI (CWP) 1-1/4" - 2"
150 PSI WSP) Service
Suitable for Vacuum Service Up to 29.9"Hg
Temperature Range: -60°F to 450°F
Full Port
2 Piece 316 Stainless Steel Construction
Adjustable Teflon® Packing Gland
Blow Out Proof Stem
Lockable Steel Handle w/Vinyl Grip
For Use With 9/32 Lock, Lock Not Included
Female x Female Connection

Part No.	Size	d (In)	E (In)	H (In)	L (In)	W (In)	Wt. (Lbs)
SSV-25	1/4"	0.46	1.12	1.89	2.15	3.94	0.55
SSV-33	3/8"	0.49					0.51
SSV-50	1/2"	0.59	1.14	2.28	2.50	4.33	0.76
SSV-75	3/4"	0.79					1.21
SSV-100	1"	0.98	1.38	3.03	3.47	5.91	2.00
SSV-120	1-1/4"	1.26					2.81
SSV-150	1-1/2"	1.50	1.50	3.62	4.35	7.09	4.58
SSV-200	2"	1.97					7.41

Weights Are ± 3%

Part No.	Description	Material
1	Body	CF8M
2	Ball	SS304
3	Cap	CF8M
4	Seat	PTFE
5	Joint Gasket	PTFE
6	Thrust Washer	PTFE
7	Packing	PTFE
8	Gland	SS304
9	Stem	SS304
10	Spring Washer	SS304
11	Nut	A2-70
12	Handle	SS304
13	Handle Cover	PVC