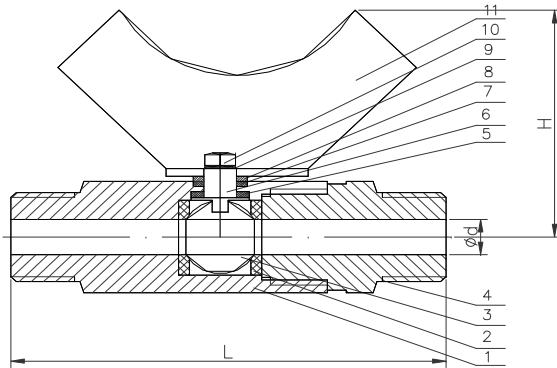




Mini Stainless Steel Ball Valves

PO Box 100
 Wauconda, IL 60084
 Phone 847-487-5599
 Fax 847-487-0909
 www.midwest-control.com

Maximum WP 1000 PSI 150 PSI (WSP) Service
 Suitable for Vacuum Service Up to 29.9"Hg
 Temperature Range: -36 °F to 368 °F
 Full Port 1/4"
 Standard Port 3/8" & 1/2"
 316 Stainless Steel Body with a 304 Stainless
 Steel OSHA Compliant Lock Out Handle
 For Use With a 9/32 Lock
 Lock Not Included
 Teflon ® Seats & Seals
 Male x Male Connection



Part No.	Size	d (In)	H (In)	L (In)	Wt. (Lbs.)
MSMM-50	1/2" x 1/2" (M x M)	0.31	1.52	3.36	0.51
MSMM-33	3/8" x 3/8" (M x M)	0.31	1.69	2.69	0.37
MSMM-25	1/4" x 1/4" M x M)	0.31	1.67	2.71	0.35

Weights Are ± 3%

Part No.	Description	Material
11	Handle	304
10	Nut	A2-70
9	Washer	304
8	Washer	304
7	Stem Packing	PTFE
6	Stem	316
5	Thrust Washer	PTFE
4	Cap	316
3	Ball	316
2	Seat	PTFE
1	Body	316