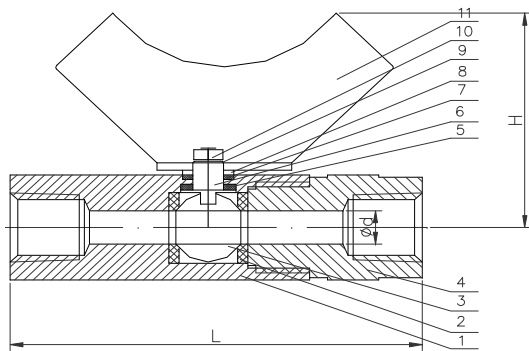


Mini Stainless Steel Ball Valves



Part No.	Size	od (In)	H (In)	L (In)	Wt. (Lbs.)
MSFF-50	1/2" x 1/2"(F x F)	0.31"	1.62	3.48	.54
MSFF-33	3/8" x 3/8"(F x F)		1.59	2.71	.37
MSFF-25	1/4" x 1/4"(F x F)		1.62	2.70	.41

Weights Are ± 3%

Maximum WP 1000 PSI 150 PSI (WSP) Service
Suitable for Vacuum Service Up to 29.9" Hg
Temperature Range: -36°F to 368°F
Full Port 1/4"
Standard Port 3/8" & 1/2"
316 Stainless Steel Body With 304 Stainless Steel
OSHA Compliant Lock Out Handle
For Use With 9/32 Lock
Lock Not Included
Teflon® Seats & Seals
Female x Female Connection

Part No.	Description	Material
11	Handle	304
10	Nut	A2-70
9	Washer	304
8	Washer	304
7	Stem Packing	PTFE
6	Stem	316
5	Thrust Washer	PTFE
4	Cap	316
3	Ball	316
2	Seat	PTFE
1	Body	316