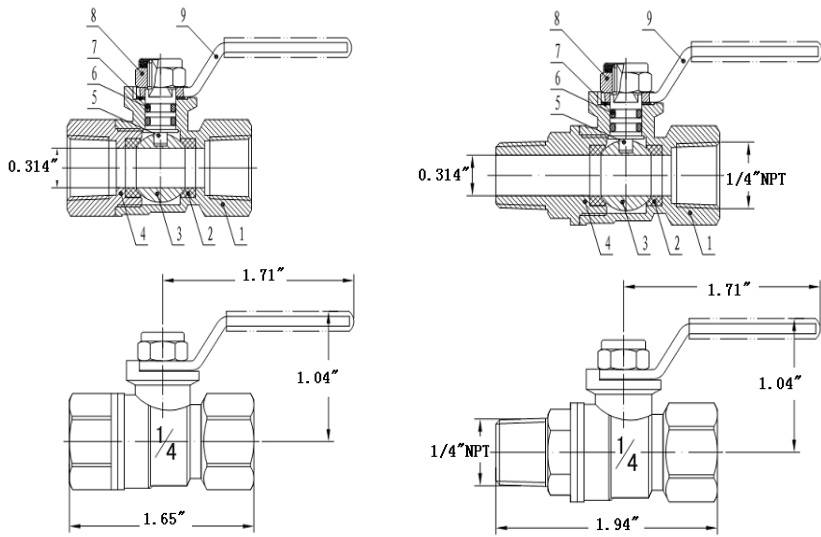


Mini Brass Ball Valves

MMBV & MFBV Series Ball Valves
1/4" 600 PSI (WOG) 150 PSI (WSP) Service
Temperature Range: -20°F to 350°F
Forged Brass Construction
Full Port
Teflon Seals
Blow Out Proof Brass Stem
Hard Chrome Plated Brass Ball
Steel Handle Vinyl Grip



MFBV Fx F Connections

MMBV Male x Female Connections

Part No.	Wt. (Lbs.)
MFBV-25	0.160
MMBV-25	0.168

Weights Are ± 3%

Part No.	Description	Part Q'ty	Material
1	Body	1	Brass
2	Ball Seats	2	PTFE
3	Ball	1	Brass
4	Cap	1	Brass
5	Stem	1	Brass
6	O-Rings	2	Rubber
7	Washer	1	PTFE
8	Nut	1	Steel
9	Handle with Grip	1	Steel Vinyl Grip