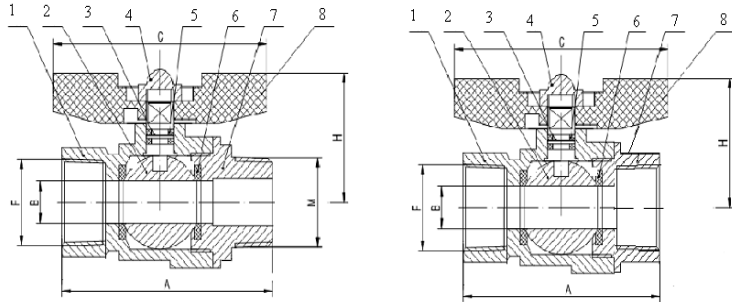


Mini Brass Ball Valve



600 PSI (WOG) 150 PSI (WSP) Service
Temperature Range: -20° F to 370°F
Two Piece Forge Brass Construction
Standard Port
Teflon @ Seats
Blow Out Proof Brass Stem
Rubber Seals
Hard Chrome Plated Brass Ball
Zinc Die Cast Tee Handle
MMTH Male x Female Connection
MFTH Female x Female Connection

Part No.	A	B	C	F	H	Wt. (Lbs.)
MMTH-12	1.8"	0.24"	1.96"	1/8" M x F	1.10"	0.24
MMTH-25	1.8"	0.24"	1.96"	1/4" M x F	1.10"	0.19
MMTH-38	2.0"	0.40"	1.96"	3/8" M x F	1.26"	0.28
MMTH-50	2.4"	0.50"	2.48"	1/2" M x F	1.45"	0.43
MMTH-75	2.7"	0.66"	2.48"	3/4" M x F	1.65"	0.53
MFTH-12	1.65"	0.24"	1.96"	1/8" F x F	1.10"	0.26
MFTH-25	1.65"	0.24"	1.96"	1/4" F x F	1.10"	0.19

Weights Are ± 3%

Part No.	Part Name	Material
1	Body	Brass
2	Ball	Cr.plated Brass
3	Stem Seal	Rubber
4	Nut	Steel
5	Stem	Brass
6	Ball Seats	PTFE
7	Cap	Brass
8	Handle	Zinc Casting