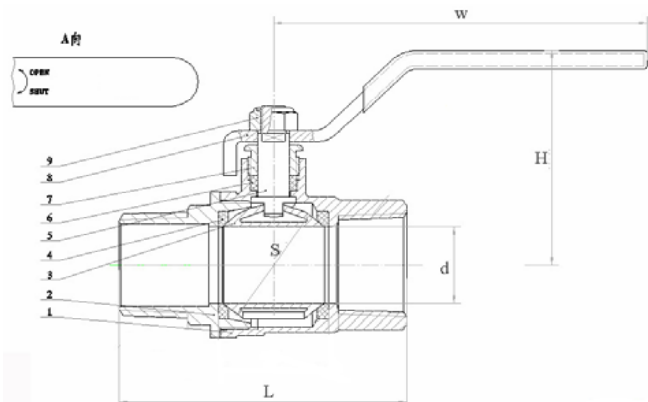




Full Port Ball Valves



Non Plated	Chrome Plated	Chrome Plated Lockable Handle	Size	d (In)	H (In)	L (In)	S (In)	W (In)	Wt. (Lbs.)
MBB-25	MPC-25	MLBV-25	1/4"	0.31	1.77	2.04	0.63	3.15	0.31
MBB-33	MPC-33	MLBV-33	3/8"	0.39	1.81	2.11	0.71		0.30
MBB-50	MPC-50	MLBV-50	1/2"	0.59	2.24	2.60	0.94	3.92	0.51
MBB-50TH **			1/2"						0.44
MBB-75	MPC-75	MLBV-75	3/4"	0.75	2.36	2.85	1.22		0.71
MBB-100	MPC-100	MLBV-100	1"	0.98	2.68	3.28	1.57	4.49	1.05

** T handle
Weights Are ± 3%

PO Box 100
Wauconda, IL 60084
Phone 847-487-5599
Fax 847-487-0909
www.midwest-control.com

MBB, MPC, MLBV Series Ball Valves
600 PSI (WOG) 150 PSI (WSP) Service
Suitable for Vacuum Service Up to 29" Hg
Temperature Range: -40 °F to 365 °F
Forged Brass Construction
Chrome Plated Body MPC & MLBV Series
Full Port
Teflon® Ball Seats
Stem Seat: Teflon Packing
Blow Out Proof Brass Stem
Hard Chrome Plated Brass Ball
Steel Handle w/Vinyl Grip
Male x Female Connection

*MLBV Includes Locking Handle
For Use With 9/32 Lock, Lock Not Included*

Part#	Description	Material
1	Body	Brass
2	Cap	Brass
3	Ball	Brass
4	Seat	PTFE
5	Stem	Brass
6	Stem Packing	PTFE
7	Gland	Brass
8	Handle	Steel
9	Nut	Brass