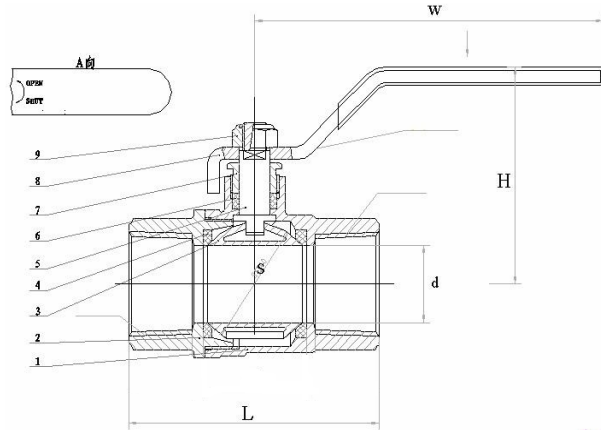


FULL PORT BALL VALVES



Non- Plated Body	Chrome Plated Body	Chrome Plated Body Lockable Handle	Size	d (In)	H (In)	L (In)	S (In)	W (In)	Wt. (Lbs.)
FBB-400	FPC-400	LBV-400	4"	3.82	6.18	7.48	5.63	9.84	18.10
FBB-300	FPC-300	LBV-300	3"	2.95	5.12	6.45	4.37	8.50	10.10
FBB-250	FPC-250	LBV-250	2-1/2"	2.48	4.96	5.83	3.70		8.03
FBB-200	FPC-200	LBV-200	2"	1.97	4.21	4.41	2.56	5.43	3.36
FBB-150	FPC-150	LBV-150	1-1/2"	1.57	3.86	3.74	2.09		2.24
FBB-120	FPC-120	LBV-120	1-1/4"	1.26	3.15	3.31	1.85	4.80	1.54
FBB-100	FPC-100	LBV-100	1"	0.98	2.68	2.87	1.46	4.41	1.01
FBB-75	FPC-75	LBV-75	3/4"	0.75	2.28	2.36	1.22	3.86	0.68
FBB-50	FPC-50	LBV-50	1/2"	0.60	2.17	2.19	0.98		0.50
FBB-33	FPC-33	LBV-33	3/8"	0.39	1.81	1.70	0.75	3.15	0.27
FBB-25	FPC-25	LBV-25	1/4"	0.31	1.73	1.61			0.29

Weights Are ± 3%

PO Box 100
Wauconda, IL 60084
Phone 847-487-5599
Fax 847-487-0909
www.midwest-control.com

FBB, FPC, LBV Series Ball Valves

1/4" - 2" 600 PSI (WOG) 150 PSI (WSP) Service
2-1/2" & 4" 400 PSI (WOG) 150 PSI (WSP) Service
3" 450 PSI (WOG) 150 PSI (WSP) Service
Suitable for Vacuum Service Up to 29" Hg
Temperature Range: -40°F to 365°F
Forged Brass Construction Through 3" Cast Brass 4"
Chrome Plated Body FPC & LBV Series
Full Port
Teflon® Ball Seats
Stem Seat: Teflon Packing
Blow Out Proof Brass Stem
Hard Chrome Plated Brass Ball
Steel Handle w/Vinyl Grip
Female x Female Connection
LBV Includes Locking Handle
For Use With 9/32 Lock, Lock Not Included

Part No.	Description	Material
1	Body	Brass
2	Cap	Brass
3	Ball	Brass
4	Seat	PTFE
5	Stem	Brass
6	Packing	PTFE
7	Gland	Brass
8	Handle	Steel
9	Nut	Brass