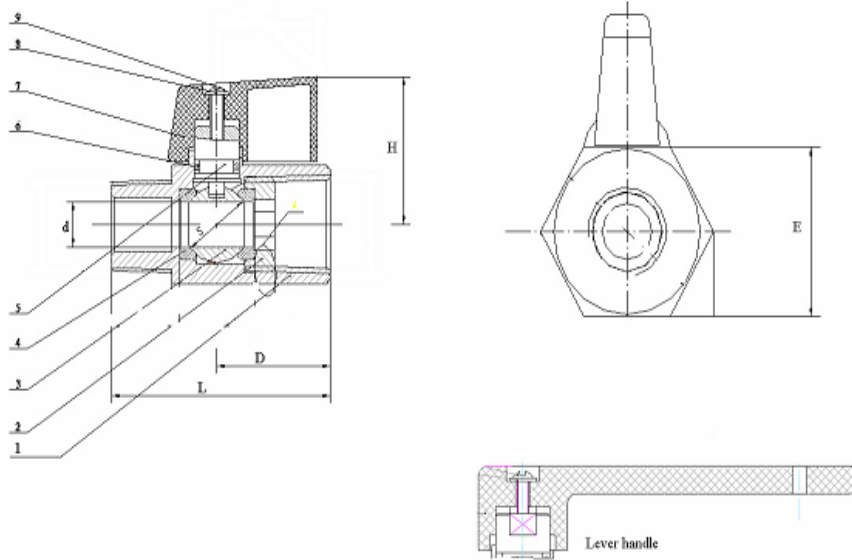


Mini Chrome Plated Brass Ball Valves



450 PSI (CWP) 150 PSI (WSP) Service
Temperature Range: -4°F to 250°F
One Piece Drawn Sand Blasted Brass Body Chrome Plated
Chrome Plated Brass Ball
Blow Out Proof Stem
Viton® O Ring
Double Ball Seats Allow Valve to Be Operated in Either Direction
Male x Female Connection

Wedge Handle	Lever Handle	Size	d (In)	D (In)	E(In)	H (In)	L (In)	S (In)	Wt. (Lbs.)
CMV-12		1/8"	0.24	0.81	0.82	1.02	1.55	0.49	0.19
CMV-25	CMVL-25	1/4"	0.31	0.89			1.71	0.55	0.18
CMV-33	CMVL-33	3/8"					0.19		
CMV-50		1/2"	0.39	0.63	0.98	1.10	2.11	0.67	0.30

Weights Are ± 3%

Wt: CMVL-25 .21 (Lbs.)

Wt.: CMVL-33 .20 (Lbs.)

Part No.	Description	Material
1	Body	Brass
2	Cap	Brass
3	Ball	Brass
4	Seat	PTFE
5	Stem	Brass
6	Stem Seal	Viton
7	Gland	Brass
8	Handle	Reinforced Nylon
9	Nut	Brass