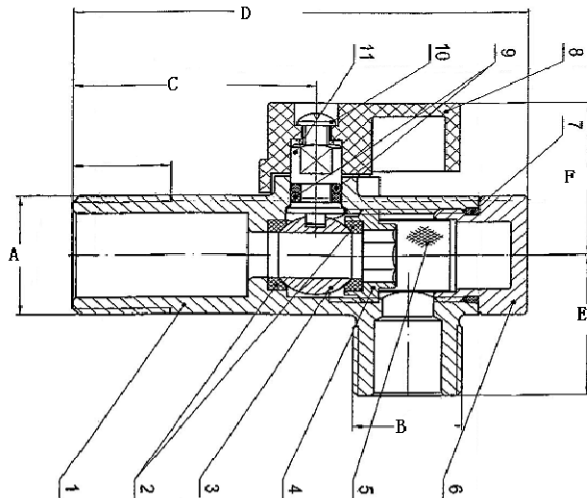


### BPSC Chrome Plated Ball Valve Y Strainer Combination



Part No.	Wt. (Lbs)	Size	A	B	C	D	E	F
BPSC-5025	0.29	1/2" x 1/4"	1/2" Male	1/4" Male	1.47"	2.77"	1"	1.08"
BPSC-5033	0.29	1/2" x 3/8"		3/8" Male				
BPSC-5050	0.32	1/2" x 1/2"		1/2" Male				

Weights Are ± 3%

600 PSI (WOG) 150 PSI (WSP)  
Operating Temperature: -4°F to 200°F  
Brass Body Chrome Plated with Stainless Steel 50 Mesh Screen  
Chrome Plated Ball  
PTFE Seats  
Unique Design Allows Valve to Be Closed and Screen to Be Cleaned Without Loss of Air Pressure in Tank or Drain  
ABS Chrome Plated Handle  
Male x Male Connection

Part No.	Description	Material
1	Body	Brass
2	Ball Seats	PTFE
3	Ball	Brass Chrome Plated
4	Seat Retainer	Brass
5	Screen	Stainless Steel
6	End Cap	Brass
7	End Cap Seal	Rubber