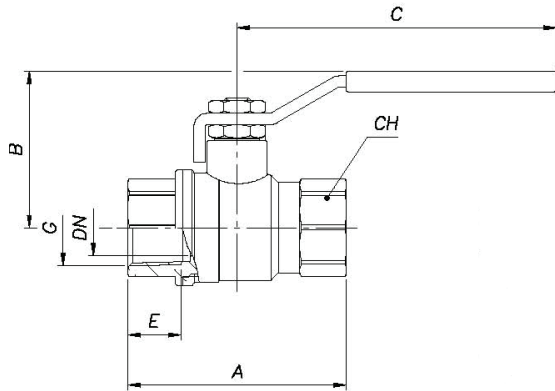


**HBV Series Female x Female Connection
Full Port Ball Valves UL CSA FM & NSF-61 Approved**



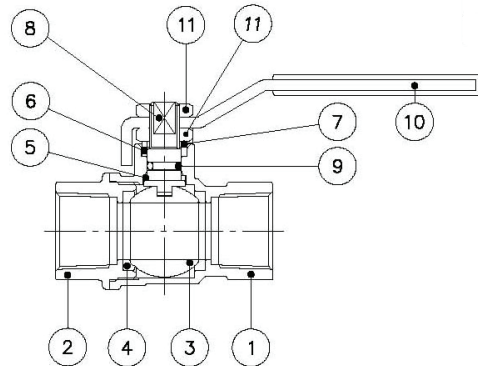
- 600 PSI (WOG)
150 PSI (WSP)
- UL, CSA, NSF 1/4" - 1" 400PSI
- UL, CSA, NSF 1" & Larger 250PSI
- FM Approved 175 PSI
- Suitable for Vacuum Service to 29" Hg
- Temperature Range: -40° F To 366° F
- Hot Forged Brass Construction
- Full Port
- Blow Out Proof Stem
- Adjustable PTFE Stem Sealing
- Made in Italy

Part No.	Size	A	B	C	E	CH	KV	CV	LB
HBV-25	1/4	1.96	1.49	3.35	.43	.74	5.4	6.3	.35
HBV-33	3/8	1.96	1.49	3.35	.43	.86	6	7	.37
HBV-50	1/2	2.28	1.59	3.35	.61	.96	16.3	19	.44
HBV-75	3/4	2.44	1.71	3.35	.62	1.22	29.5	34.4	.60
HBV-100	1	3.03	2.09	4.68	.74	1.49	43	50.1	1.16
HBV-125	1-1/4	3.46	2.30	4.68	.76	1.88	89	103.8	1.58
HBV-150	1-1/2	3.93	2.97	6.37	.76	2.12	230	268.4	2.53
HBV-200	2	4.44	3.25	6.37	.78	2.63	265	309.2	3.83
HBV-250	2-1/2	5.94	4.19	7.56	1.06	3.30	518	604.5	7.87
HBV-300	3	6.85	5.49	8.93	1.14	3.89	820	956.9	11.77
HBV-400	4	8.18	6.20	9.92	1.92	4.80	1390	1622.1	15.83

CV = The Gallons of Water Per Minute That the Valve Will Pass With 1 PSI Pressure Drop
KV = The Flow Rate Expressed As Cubic Meters of Water Per Hour at a Pressure Differential of 1 Bar
CV= 1.167 KV

Dimensions Are Shown In Inches

**HBV Series Female x Female Connection
Full Port Ball Valves UL CSA FM & NSF-61 Approved**



Pos.	Components	Materials	Qty
1	Body	CW617N Forged Brass	1
2	End Connection	CW617N Forged Brass	1
3	Ball	CW617N CP Brass	1
4	Ball Seats	PTFE	2
5	Lower Stem Seal	PTFE	1
6	Upper Stem Seal	PTFE	1
7	Brass Ring	CW614N Brass	1
8	Stem	CW614N Brass	1
9	O Ring	EPDM 70 Sh	1
10	Handle	UNI EN 10025 Steel	1
11	Nut	UNI 5771 Steel	2