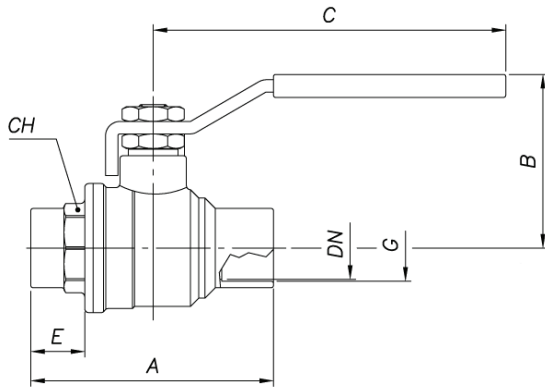


**BVS Series Sweat x Sweat Connection
Full Port Ball Valves UL CSA FM & NSF-61 Approved**



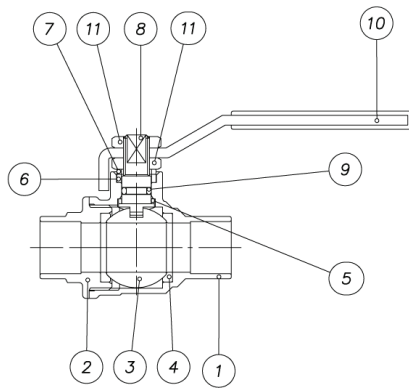
- 600 PSI (WOG)
150 PSI (WSP)
- UL, CSA, NSF 1/4" - 1" 400PSI
- UL, CSA, NSF 1" & Larger 250PSI
- FM Approved 175 PSI
- Suitable for Vacuum Service to 29" Hg
- Temperature Range: -40° F To 366° F
- Hot Forged Brass Construction
- Full Port
- Blow Out Proof Stem
- Adjustable PTFE Stem Sealing
- Made in Italy

Part No	Size	A	B	C	E	CH	KV	CV	LB
BVS-50	1/2	2.30	1.64	3.35	.51	.78	16.3	19	.44
BVS-75	3/4	2.75	1.71	3.35	.72	1.06	29.5	34.4	.60
BVS-100	1	3.24	2.09	4.68	.78	1.33	43	50.1	1.16
BVS-125	1-1/4	3.70	2.30	4.68	.84	1.65	89	103.8	1.58
BVS-150	1-1/2	4.40	2.97	6.37	1.14	1.96	230	268.4	2.53
BVS-200	2	5.31	3.25	6.37	1.35	2.51	265	309.2	3.83
BVS-250	2-1/2	6.45	4.19	7.56	1.73	3.30	518	604.5	7.87
BVS-300	3	7.51	5.49	8.93	1.75	3.89	820	956.9	11.77
BVS-400	4	9.01	5.91	8.93	2.38	4.80	1181	1378.2	15.83

CV = The Gallons of Water Per Minute That the Valve Will Pass With 1 PSI Pressure Drop
KV = The Flow Rate Expressed As Cubic Meters of Water Per Hour at a Pressure Differential of 1 Bar
CV= 1.167 KV

Dimensions Are Shown In Inches

BVS Series
Full Port Ball Valves UL CSA FM & NSF-61 Approved



Pos.	Components	Materials	Qty
1	Body	CW617N Forged Brass	1
2	End Connection	CW617N Forged Brass	1
3	Ball	CW617N CP Brass	1
4	Ball Seals	PTFE	2
5	Lower Stem Seal	PTFE	1
6	Upper Stem Seal	PTFE	1
7	Brass Ring	CW614N Brass	1
8	Stem	CW614N Brass	1
9	O Ring	EPDM 70 Sh	1
10	Handle	UNI EN 10025 Steel	1
11	Nut	UNI 5771 Steel	2